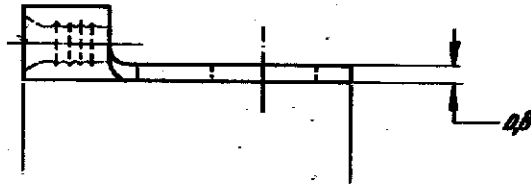
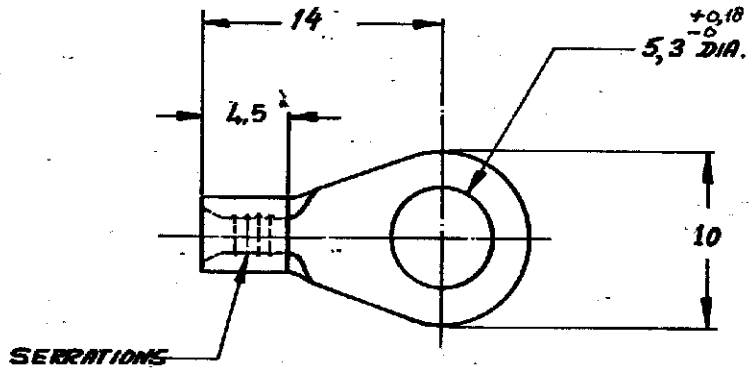


DRAWING MADE IN AMERICAN PROJECTION

NAME
C-165298-E



DO NOT SCALE PRINT

CUSTOMER COPY FOR REFERENCE ONLY

©1967 BY AMP-HOLLAND N.V. ALL RIGHTS RESERVED A-MP PRODUCTS COVERED BY PATENTS AND/OR PATENTS PENDING.



AMP-HOLLAND N.V.
-HERFGENBOSCH
HOLLAND

| | | |
|--|--|--|
| | | |
| | | |
| | | |
| | | |
| | | |
| | | |

| 165298 | COPPER | TINPLATED |
|--------------------|---------------|--------------------|
| ORDER NO. | MATERIAL | PLATING |
| DR R. J. WANDT. | DATE 16-67 | CHK K. J. J. J. |
| CHK | DATE | APP |

| WIRE-RANGE | INSUL-RANGE | TYPE - DIN - |
|-----------------------|-------------|--------------|
| 15-25 mm ² | — | SOLISTRAND |
| SCALE | LOC | SIZE |
| — | H | A |

| NO | REV |
|------------|-----|
| C-165298-E | C |

NAME RINGTONGUE stud: M5